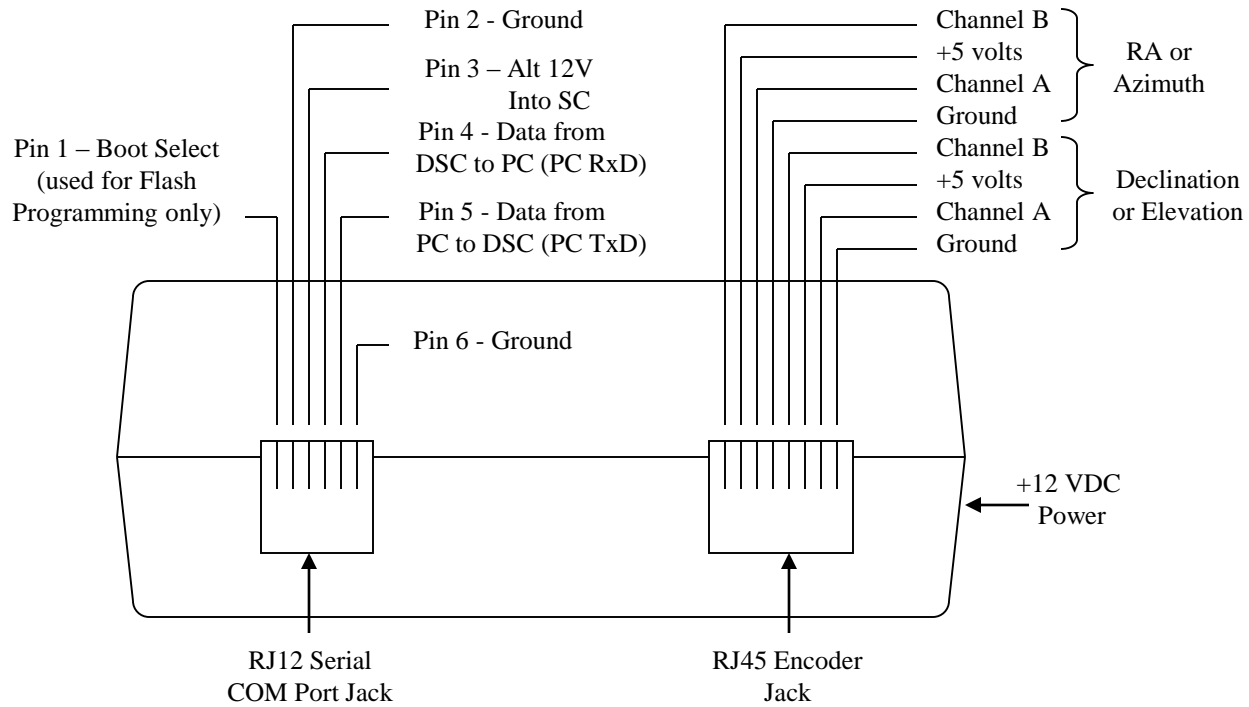
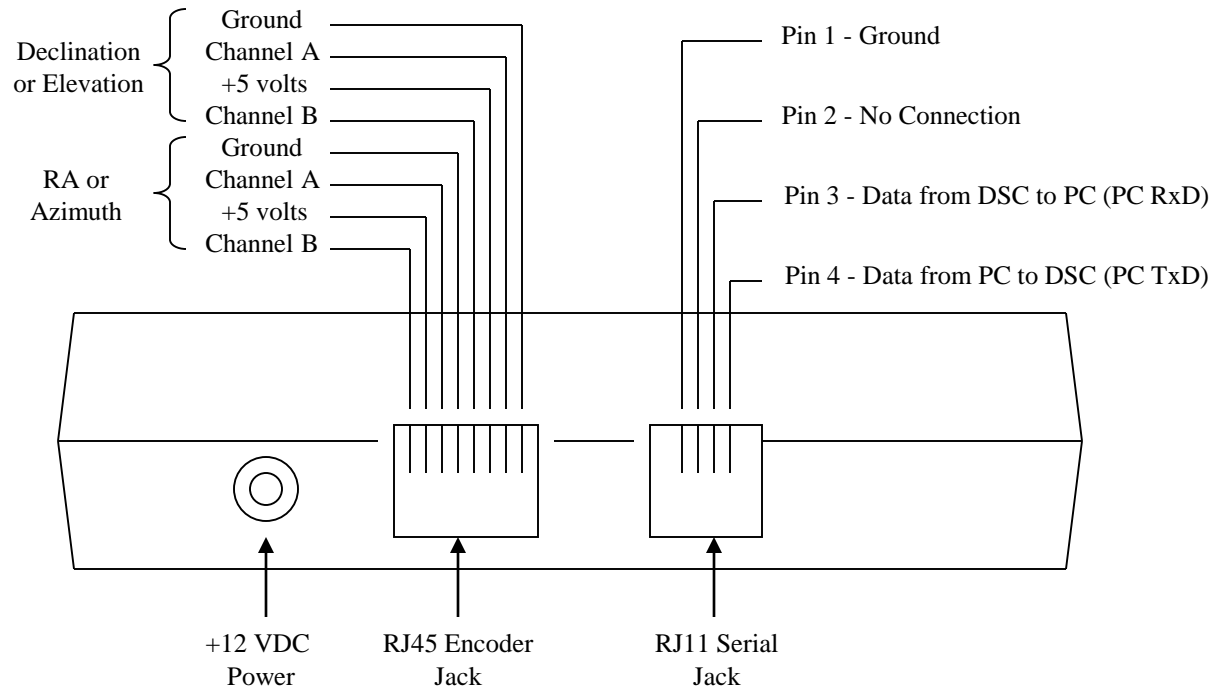


Legacy Sky Commander Rear Panel



Sky Commander XP4 Rear Panel



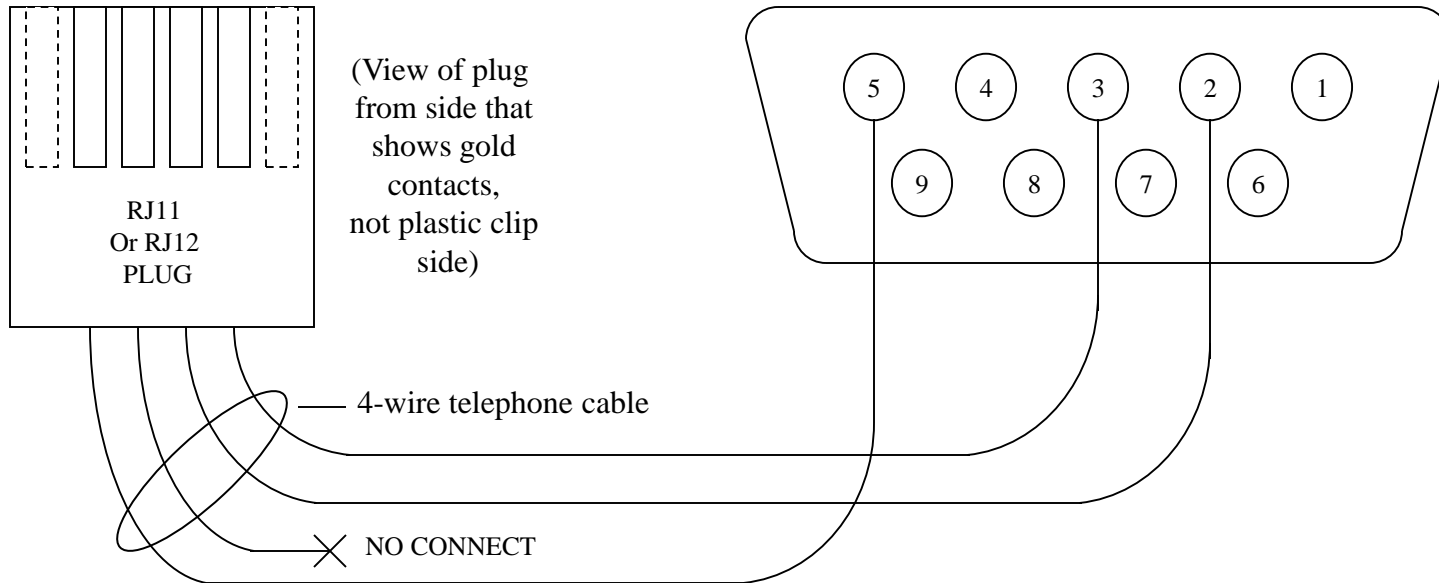
Losmandy DSC Rear Panel

XP4 has 6 pin jack – pins 1 and 6 used only for Flash Programming.

Legacy Sky Commander has 4 pin jack.

Pin numbering of DB9 female connector looking at end of plug that mates with male DB9 on PC. This is standard pin numbering.

1 2 3 4 5 6 ← RJ12 pin numbering  
1 2 3 4 ← RJ11 pin numbering



RS232 Cable for Sky Commander or Losmandy DSC